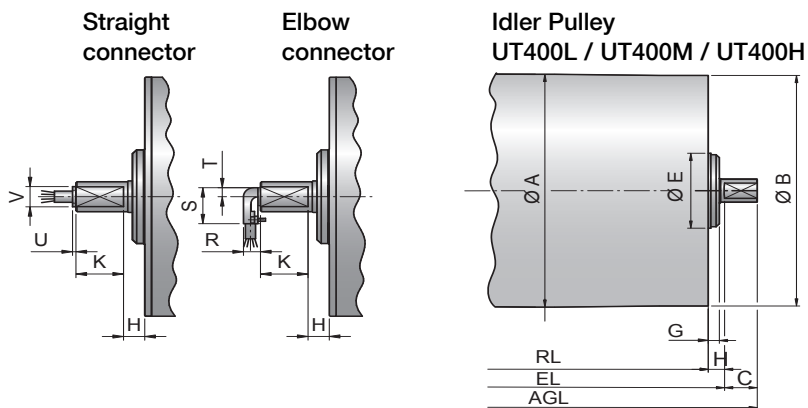
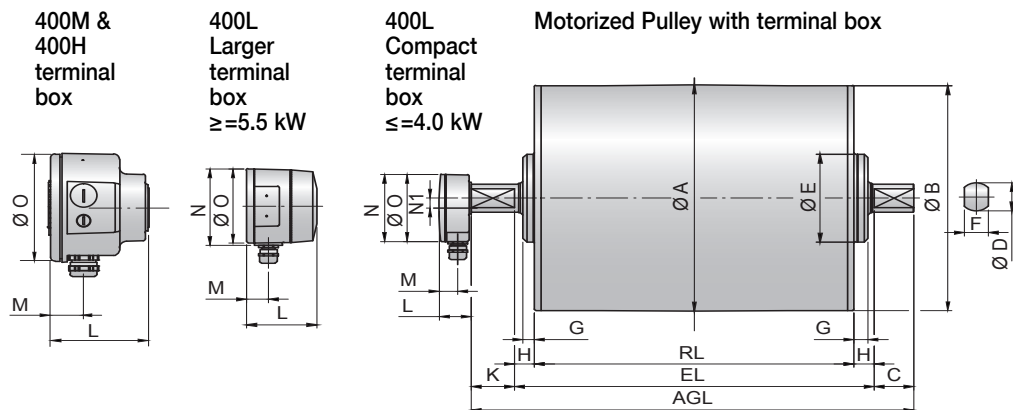
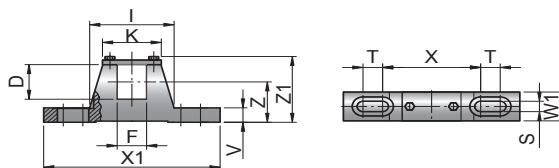


Motorized Pulley 400L, 400M & 400H, Ø 400 mm



Type	Motorized Pulley or idler Pulley (UT)									Compact terminal box ≤4.0 kW				Larger terminal box ≥5.5 kW				Straight connector ≤4.0 kW		Elbow connector ≤4.0 kW		
	A mm	B mm	C mm	D mm	E mm	F mm	G mm	H mm	K mm	L mm	M mm	N mm	N1 mm	L mm	M mm	N mm	O mm	U mm	V mm	R mm	S mm	T mm
400L	404	400	50	40	125	30	20	25	54	41	24	95	14	87	27	107	105	4	27	20	48	12
400M & 400H	404	400	50	60	194	45	23	25	50	-	-	-	-	131	46	-	165	-	-	-	-	-
UT400L	404	400	50	40	125	30	17	25	-													
UT400M & UT400H	404	400	50	60	168	45	20	25	-													

Mounting brackets KL41-HD & KL60



Motorized Pulleys Type	Material	Bracket description	Dimensions												Weight kg
			D mm	F mm	I mm	K mm	S mm	T mm	V mm	W1 mm	X mm	X1 mm	Z mm	Z1 mm	
400L	Steel	KL41-HD	40	30	84	62	14	20	22	40	110	190	50	83	2.1
400M & 400H	Steel	KL60	60	45	132	90	18	30	25	50	150	270	70	115	4.8